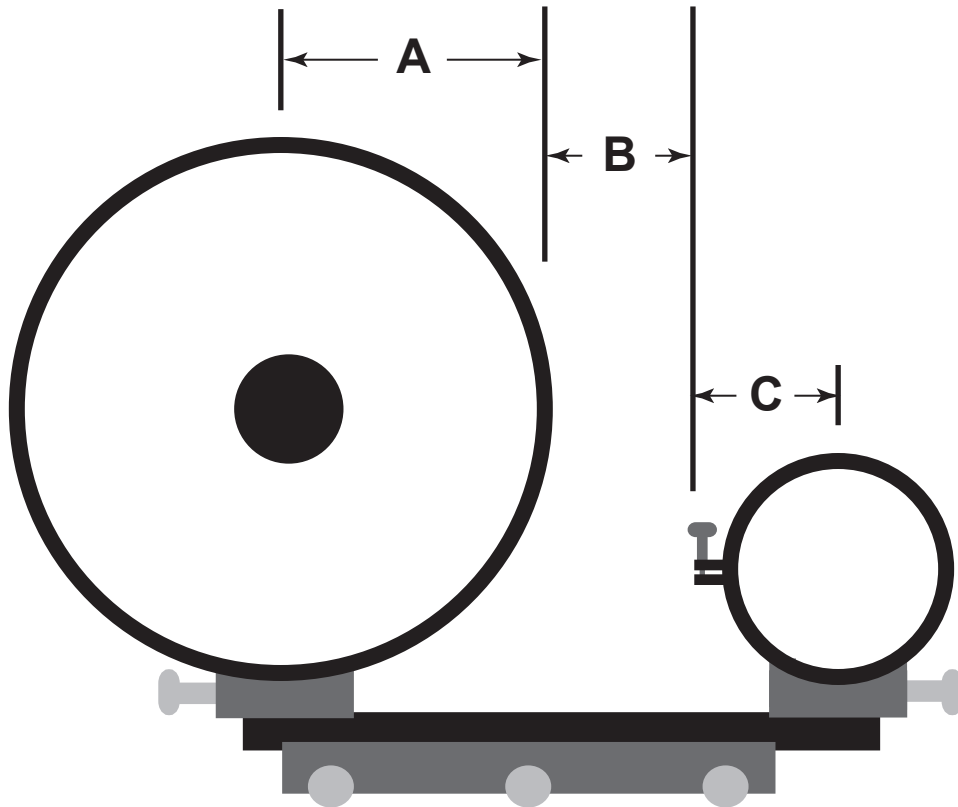


Side-by-Side Dovetail Plate Selection (13" or 16")



$$A + B + C + 3.75'' = \text{Dovetail Length}$$

A = radius* scope #1

B = distance between scopes (choose desired space)

C = radius* scope #2

Add 3.75'' which is the distance from the scope center to the end of the Side-by-Side plate times two ends

***be sure to include knobs or accessory protrusions between the scopes**