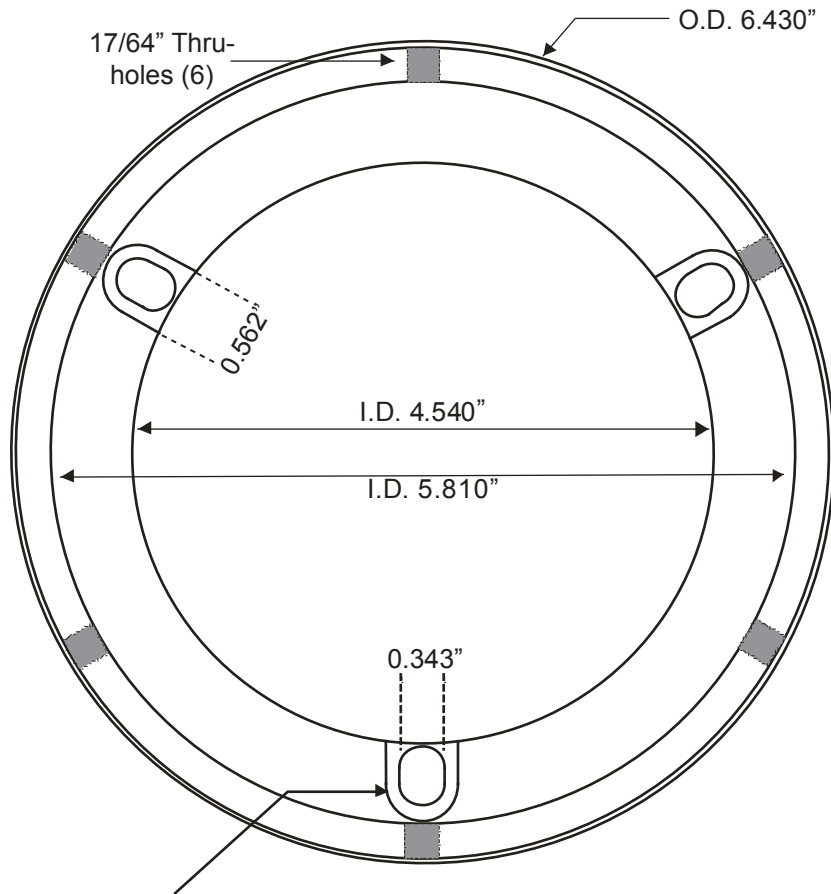


ADATRI Tripod Adapter for 400, 600 & Mach1GTO



3 Slots spaced 120° apart for 5/16" x 5/8" or M8 socket head cap screws on a 5.110" bolt circle.

(Circle can range from a minimum diameter of 4.980" to a maximum diameter of 5.240".)

Equilateral triangle between 4.313" and 4.538" on a side)

