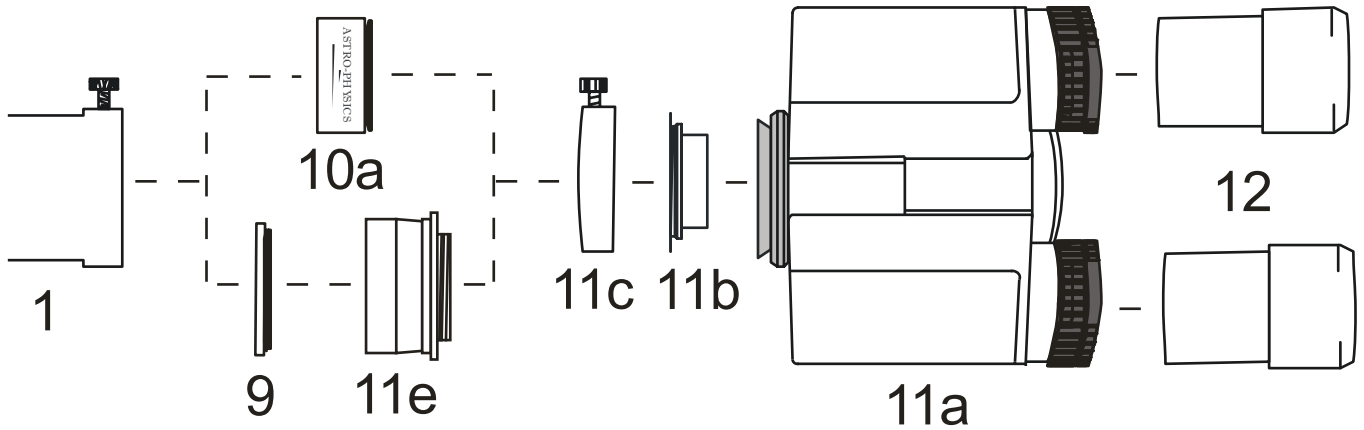
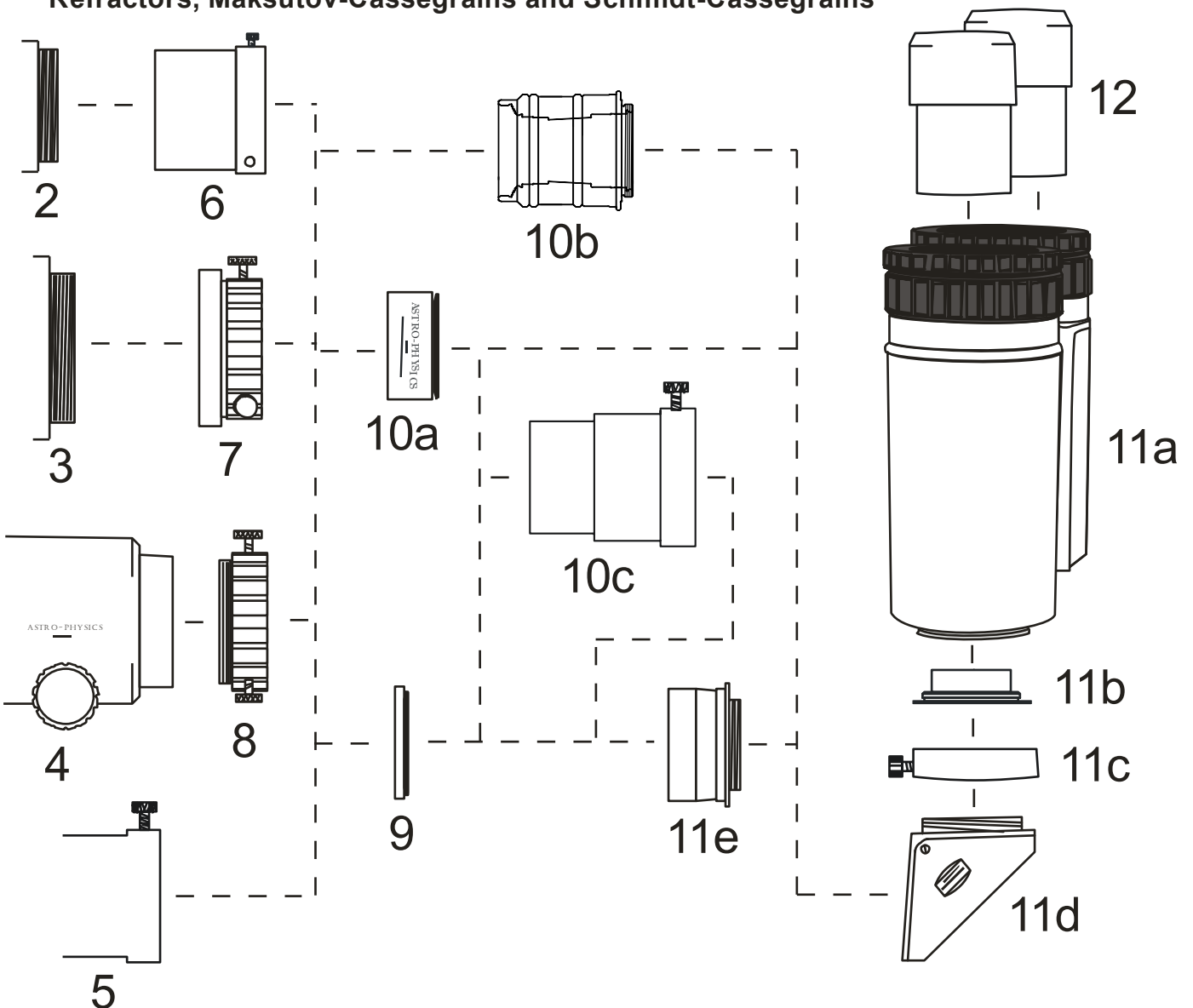


BAADER PLANETARIUM MARK V BINOCULAR VIEWER (BPMARKV)

Straight-through Viewing: Newtonians, Maksutov-Newtonians, and Schmidt-Newtonians



Refractors, Maksutov-Cassegrains and Schmidt-Cassegrains



BAADER PLANETARIUM

MARK V BINOCULAR VIEWER (BPMARKV)

1. 2" slip-in-type opening of Newtonian, Maksutov-Newtonian, and Schmidt-Newtonian Telescopes
2. Rear cell on 9.25" and smaller SCTs
3. Rear cell on 10" and larger SCTs
4. Astro-Physics 2.7" Focuser or 4" Focuser with 2.7" reducer in place
5. 2" slip-in-type opening of other telescopes
6. 2" visual back for 9.25" SCTs and under (ADASCT with brass locking ring and two thumbscrews)
7. 2" visual back for 10" and larger SCTs (ADASCTL for Celestron and ADASCTLM for Meade), featuring a brass locking ring and three thumbscrews (shown). **Note:** This may not allow the use of nosepiece / barlow combinations with all Celestron or Meade models due to restrictions on the back of the telescopes. Alternatively, our Celestron to 2.7" Adapter (ADASCTL27) and Meade to 2.7" Adapter (ADASCTLM27) can be used with our 2" Adapter with 3 Large Thumbscrews (ADA2003) to accommodate many combinations and avoid the conflicts from these telescope restrictions (not shown).
8. 2" Adapter with brass locking ring and 3 large thumbscrews (ADA2003)
9. 48 mm filter (optional)
- 10a. Optical portion of 2" Convertible Photo-Visual Barlow (BARCON); the BARCON also includes a 2" extension as described below in 10c
- 10b. Baader Planetarium Fluorite Flatfield Converter (BPFFC)
- 10c. 2" Extension - Length 1.75" (part #ADA202 when sold alone; this part is included with the BARCON)
11. Baader Planetarium Mark V Binocular Viewer System (BPMARKVS)
 - 11a. Baader Planetarium Mark V Binocular Viewer
 - 11b. 1.25x Glaspath Compensator (BP4A)
 - 11c. Bayonet connector (BP6)
 - 11d. T2 Mirror Diagonal (BP1A) or Prism Diagonal (BP1)
 - 11e. 2"/T-2 Tapered Nosepiece (AP16T or BP16). If you are using the thin 2" adapter (part# ADA2013) or a 92mm f5 or f7 Stowaway, use the BP16 nosepiece (purchased separately) instead of the AP16T
12. 1.25" Eyepieces

Note: Some eyepieces may not come to focus, depending on the backfocus (in-travel) of your telescope.